

Installation instructions

Uniclic®

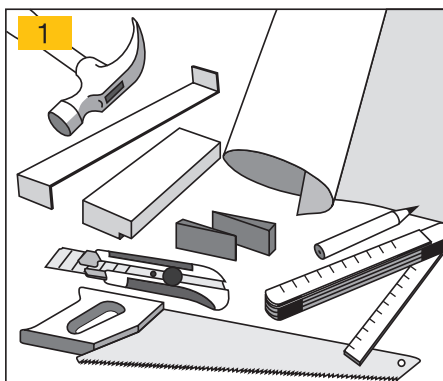
PARKY®

It's good to live on wood

Dear customer,

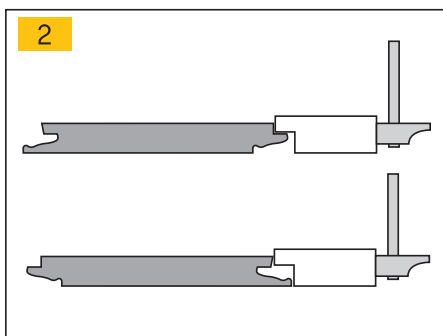
We thank you for purchasing our Parky floor.

Before starting the installation, it is essential to read these instructions carefully. If these instructions are not followed, the instructor will be deemed fully responsible.

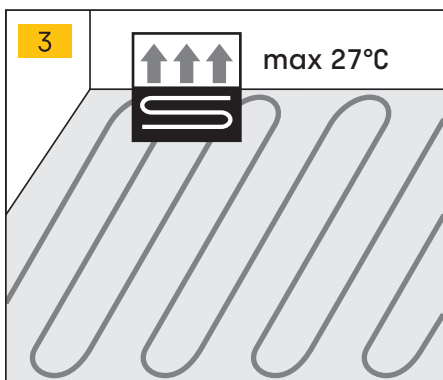


INSTALLATION MATERIALS (picture 1)

- Parky Installation Kit (Hitting block - Expansion spacer - Striking bar)
- Quality underlay:
 - Parky WITH an integrated cork layer: Damp-proof foil
 - Parky WITHOUT an integrated cork layer: Basic or Silent underlay
- Hammer
- Parky waterproof tape
- Pencil
- Saw
- Cutter
- Meter

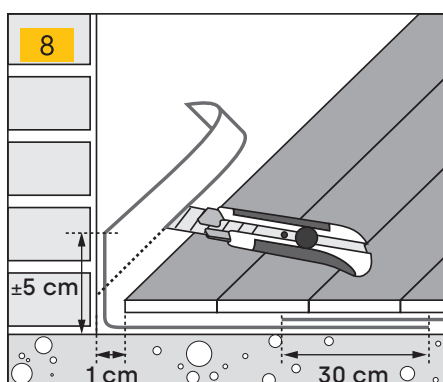
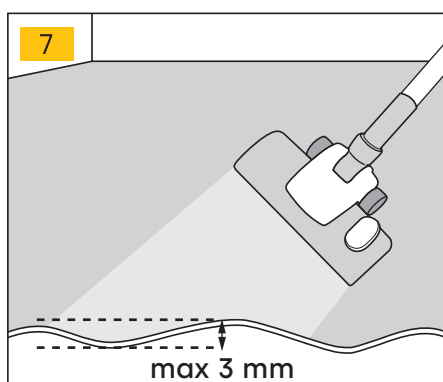
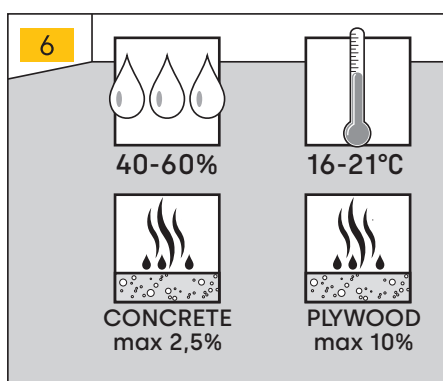
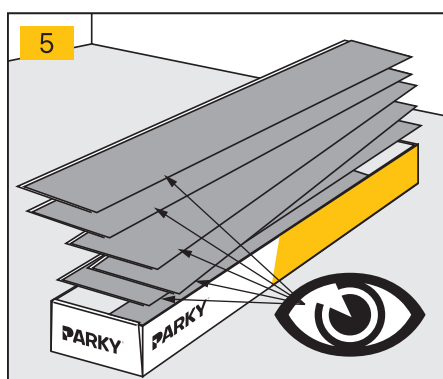
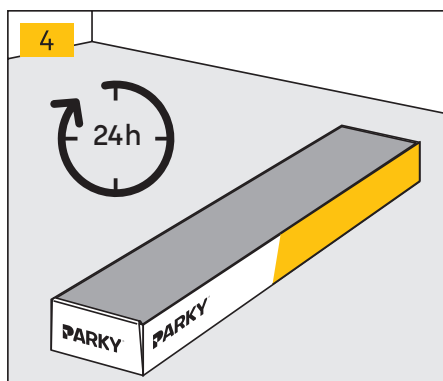


Do not use glue, screws or nails during the installation. Remark: Never hit the boards directly with a hammer. Always use the tapping block for floors with a toplayer of 0.6mm to protect the edges of the boards. **(picture 2)** For floors with a top layer of 2 mm we suggest to use a piece of the board that you lock into place so the wooden top layer cannot be damaged.



UNDERFLOOR HEATING (picture 3)

Parky floors can be installed over underfloor heating. Follow the instructions of the floor heating manufacturer. The underfloor heating must be lower than 27°C (80°F). You can find our installation instructions on www.par-ky.com.



STORAGE: Store Parky floors in a perfectly dry and protected room with an air humidity of 40 to 60% and a temperature of 16 to 21° C (61-70° F). In order to prevent deformation, the boxes may not come into contact directly with the ground.

Warning: Do not open the boxes until the moment of installation.

PREPARATIONS: Put the Parky boxes in the relevant room 24 hours before installation. Put the boxes in the middle of the room and certainly not against a wall. (picture 4) Open the packs just before installation. Check every board carefully. Do not install boards with defects. (picture 5)

Remark: Veneer flooring is a natural product and therefore unique so no boards are identical. Minor variations in colour and structure are normal. Small natural marks such as knots and mineral streaks are tolerated and have no effect on the quality of the floor. We strongly advise to use the same production batch per room in order to obtain the most uniform result. You can find the production number on the backing of each board and we highly recommend not to mix 2 different batches.

Defects in the under floor have to be repaired.

The under floor must be:

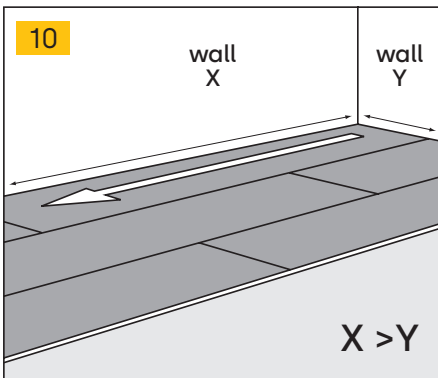
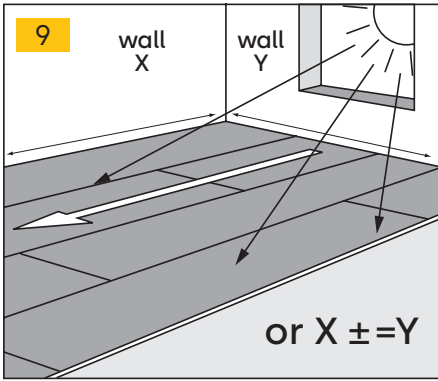
- Clean and dust free
- Sound with no loose particles.
- Flat. The maximum difference in height is 3 mm (1/8") over 2 meters (6' 9/16").
- Dry. The humidity needs to be less then 2.5% for installation in screed without floor heating, 2% in screed with floor heating, 0.6% in anhydritescreed and 10% in multiplex.

In principle, Parky can be installed on any underfloor that is solid and sound. The ideal fitting circumstances are a temperature between 16°C (61°F) and 21°C (70°F) and an atmospheric humidity between 40% and 60%. (picture 6 and 7)

UNDERLAY (picture 8)

- For the collections with an integrated cork layer, we recommend to use our 150 micron Parky damp screen under the floor. Allow an overlap of 30 cm (12"), stick the edges of the foil together with Parky moisture-resistant tape and make sure there are no holes in the foil. Put the foil 5 cm (2") up the wall to avoid moisture under the flooring.

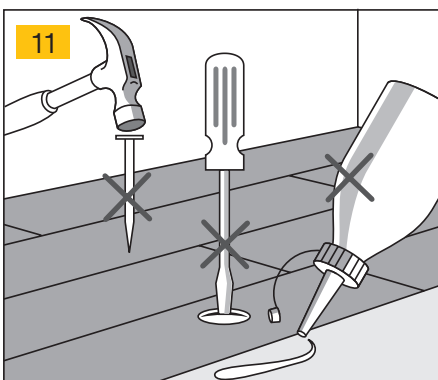
- If your floor doesn't have an integrated cork layer, use our Basic or Silent underlay. In humid climates or when there is a humidity risk in the wall, we suggest to fold the underlay 5cm up to the wall or use waterproof tape to seal the underlay against the wall. This to avoid that humidity damages the floor.



LAYOUT

We recommend to install the floor towards the light or in the direction of the longest wall. (picture 9 and 10)

Remark: Some wood species are sensitive to colour variations under the influence of UV light. It is a natural phenomenon that colours darken or lighten in the course of time.



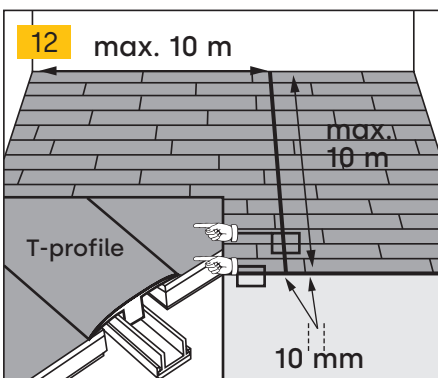
INSTALLATION (picture 11, 12 and 13)

Parky is provided with the Uniclic® system for the installation of floating floors without glue. The boards are held together by using a click tongue and groove system. This system is quick and perfect.

Use the Parky striking bar in case you cannot use the hitting block and the hammer. On the short edge, give knocks one after the other. Do not give heavy strokes to avoid damage.

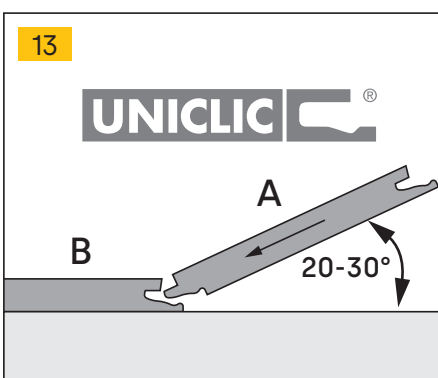
While using the striking bar at the long edge, knock the board repeatedly.

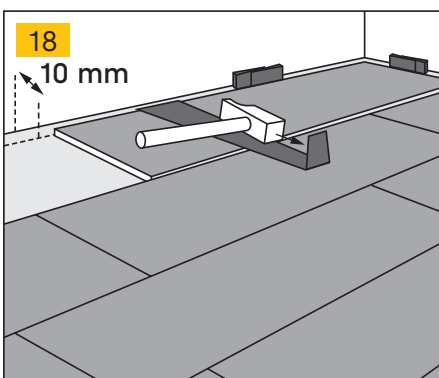
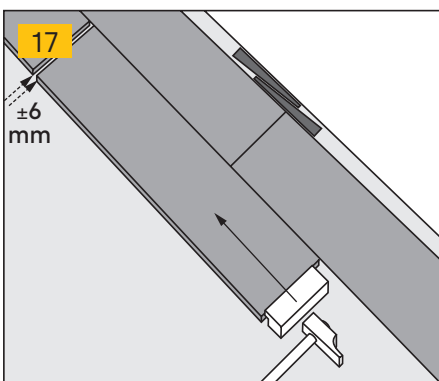
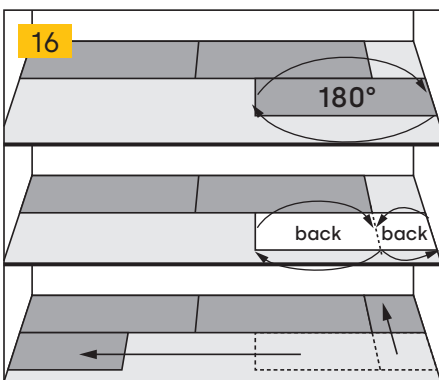
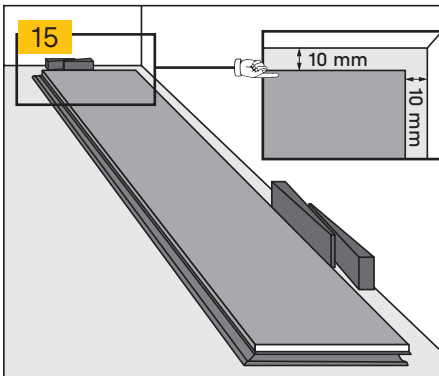
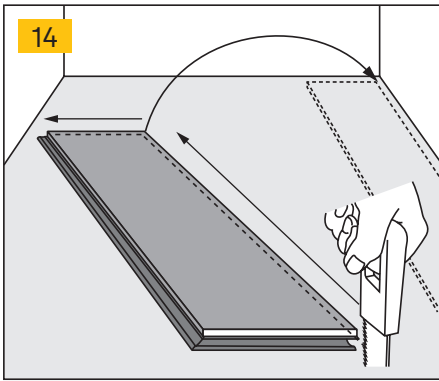
Start knocking softly at the end of the board until it is clicked together and repeat this process every 30 cm (12") until the whole board is clicked together.



Parky is a real wooden floor. Foresee enough expansion along every wall, heating pipes and every obstacle (such as doorframes). The minimum expansion is 10 mm (3/8") or 1 mm (3/64") per running meter (3'3"). The expansion gaps can be covered with skirtings fixed to the wall, never to the floor. For floors longer or wider than 10 m (33'), you must use a T-profile. (picture 12)

The easiest way to install the floor is putting the tongue (A) in the groove (B). (picture 13)





The first row

Cut off the tongue from the first board, both the short edge and the long edge. Put this board, whose 2 teeth have been cut, in the corner of the room. For the other boards of the first row, only cut off the tongue on the long side. **(picture 14)**

Foresee an expansion gap of 10 mm (3/8") by using the expansion spacers from the installation kit. Put the first row to the wall and make sure you have an expansion of 10 mm (3/8") everywhere. **(picture 15)**

Use the remainder of the board from the first row to start the second row. The minimum length of the remainder is 20 cm (8"). **(picture 16)**

Continue the second row with a full board. Click first the long edge in row 1. Make sure the distance to the first board of row 2 is about 6 mm (1/4"). Knock this board softly into the first board using the hitting block from the installation kit. **(picture 17)**

Continue according to this methodology until the last row.

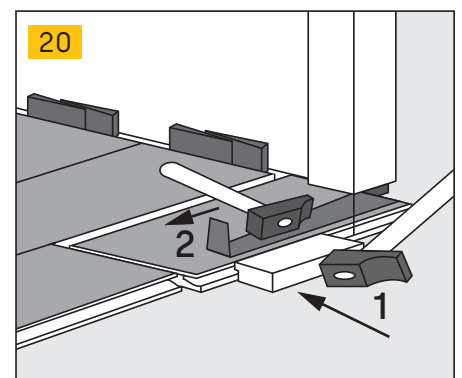
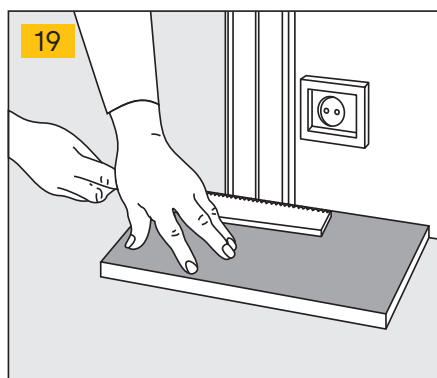
Remark: Never assemble 2 boards by hitting in one stroke!

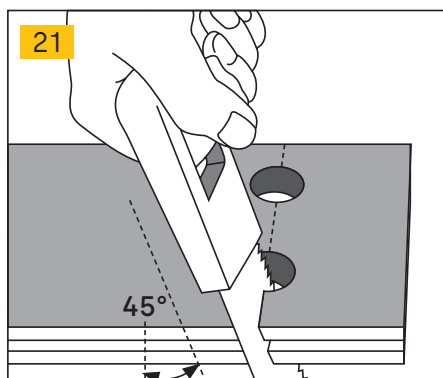
The last row

Leave again an expansion gap of 10 mm (3/8") between the last board and the wall. Cut the boards of the last row in the length. To click the boards in the second last row, use the metal striking bar from the installation kit. **(picture 18)**

Doorframes

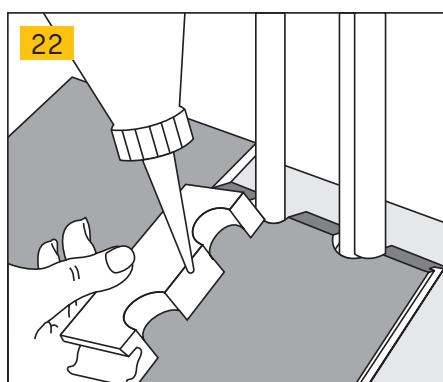
Cut the boards and make sure there is an expansion gap of 10 mm (3/8"). Use the striking bar in case it is not possible to click the board. **(picture 19 and 20)**





Heating pipes

Watch the picture carefully how to cut a Parky board. It is important to follow the instructions to achieve a nice result. Around the pipes you can finish the floor with silicone. It is important that the expansion gap is closed off to avoid moisture in the Parky floor. (picture 21 and 22)



The finish

Due to the fact that the floor is installed without glue, you can immediately walk on the floor after installation. Remove all spacing blocks and install the skirtings. Never fix the skirtings to the floor, but always to the wall. The floor needs to expand and contract under the skirting. Use silicone where you are not able to use a skirting.

In general; the floor has to be sealed to avoid penetration of moisture.

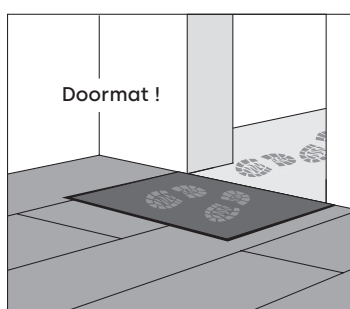
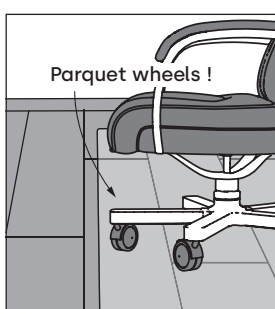
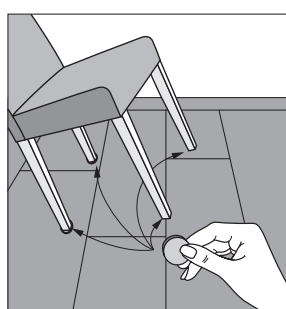
MAINTENANCE AND PROTECTION

For an optimal protection of your Parky floor, put:

- A. Pieces of felt under the chairs.
- B. Parquet wheels under office chairs and a protection mat under the chair.
- C. A doormat if the floor is installed at the entrance.

Use the Parky cleaner to maintain your Parky floor. Parky cleaner removes the dirt without harming the lacquer and it gives your floor a nice look.

Contact your dealer for stubborn spots.



PARKY[®]
It's good to live on wood

If you have any questions, don't hesitate to contact your local dealer or the head office in Belgium.

Decospan nv, Industriezone Grensland
Lageweg 33, 8930 Menen - Belgium
tel +32 56 52 88 49 - info@par-ky.com
www.par-ky.com

a product of
DECOSPAN[®]
Wood Solutions