

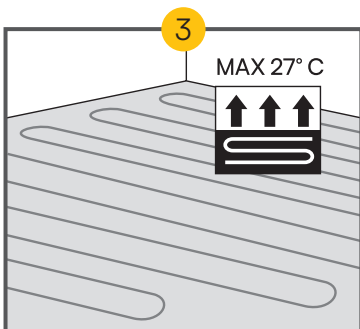
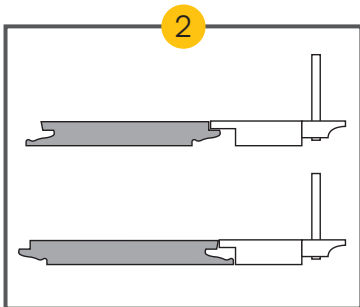
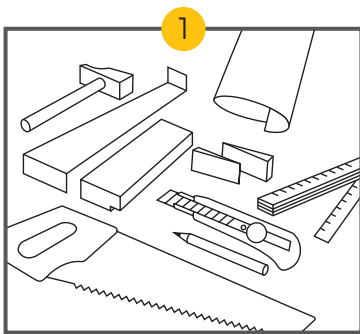
INSTALLATION INSTRUCTIONS

FOR FLOATING INSTALLATION



Dear customer,

Thank you for purchasing our Parky floor. It is essential to carefully read these instructions before starting the installation. Failure to comply with these instructions will render the installer fully responsible.



INSTALLATION MATERIALS 1

- Parky Installation Kit (Tapping block - Expansion spacer - Pull bar)
- Quality underlay:
 - Parky with an integrated cork layer: Damp-proof foil
 - Parky without an integrated cork layer: Basic or Silent underlay
- Parky waterproof tape
- Hammer, pencil, saw, cutter and measuring stick

Do not use glue, screws or nails during for the Parky floating installation..

For glued-down installation, see instructions on www.par-ky.com/en/downloads.

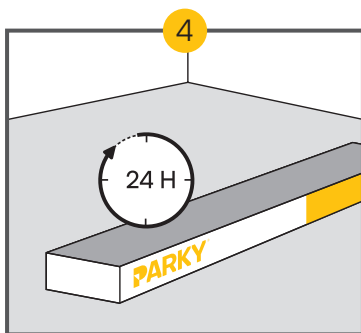
Never hit the planks directly with a hammer.

Always use the tapping block to protect the edges of the planks. 2



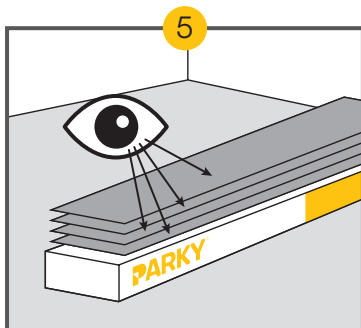
UNDERFLOOR HEATING AND COOLING 3

Parky floors can be installed over underfloor heating and cooling. Follow the instructions of the floor heating or cooling manufacturer. The maximal contact temperature may not exceed 27°C (80°F). You can find our installation instructions on www.par-ky.com.



STORAGE

Store your Parky floor in a perfectly dry and protected room with an air humidity of 40 to 60% and a temperature of 16 to 21° C (61-70° F). To prevent deformation, avoid placing the boxes directly on the ground or in direct sunlight. Warning: do not open the boxes until the moment of installation.

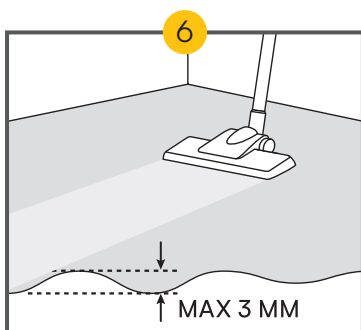


PREPARATIONS

Place the Parky packs in the relevant room 24 hours before installation. Place them in the middle of the room and never against a wall. **4**

Open the packs just before installation.

Carefully inspect each plank. Do not install planks with defects. **5**

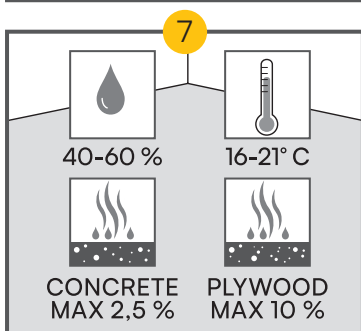


Remark: veneer flooring is a natural product and therefore unique so no planks are identical. Minor variations in colour and structure are normal. Small natural marks such as knots and mineral streaks are tolerated and have no effect on the quality of the floor. We strongly advise you to use the same production batch per room to obtain the most uniform result. You can find the production number on the groove of each plank and we highly recommend not to mix two different batches.

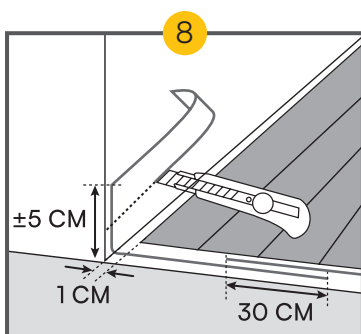
Defects in the subfloor have to be repaired.

The subfloor must be:

- Clean and dust-free. **6**
- Sound. Any loose fragments should be removed or reattached.
- Flat. The maximum difference in height is 3 mm (1/8") over 2 metres (6' 9/16"). Any unevenness of more than 1 mm (3/64") over a length of 20 cm (7 7/8") must be levelled out. **6**
- Dry. The humidity needs to be less then 2.5% for installation in screed without floor heating, 2% in screed with floor heating, 0.6% in anhydrite screed and 10% in multiplex.



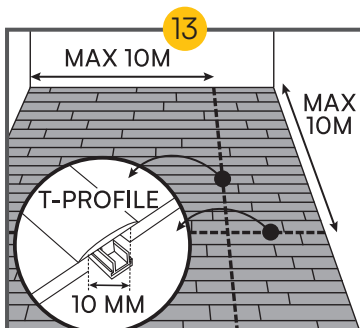
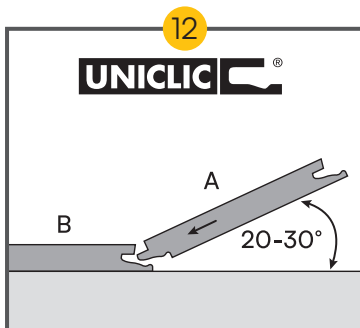
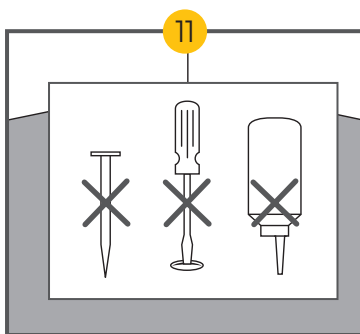
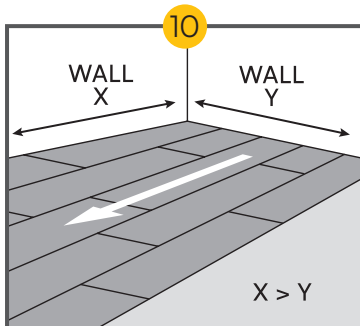
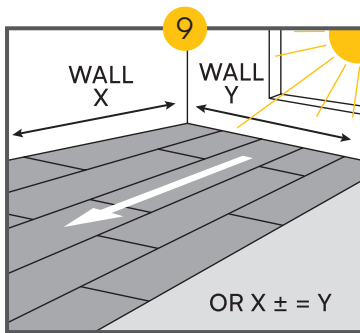
In theory, Parky can be installed on any underfloor that is solid and sound. The ideal installation circumstances are a temperature between 16°C (61°F) and 21°C (70°F) with an atmospheric humidity between 40% and 60%. **7**



UNDERLAY **8**

- For collections with an integrated cork layer, we recommend using our 150 micron Parky damp-proof foil under the floor. Allow an overlap of 30 cm (12"), stick the edges of the foil together with Parky moisture-resistant tape and make sure there are no holes in the foil. Leave 5 cm (2") foil around and up the walls to avoid any moisture getting under your floor.

- If your floor doesn't have an integrated cork layer, use our Basic or Silent underlay. In humid climates or when there is a humidity risk for your wall, we suggest folding the underlay 5 cm and laying it against and up the wall or using waterproof tape to seal the underlay against the wall. This will prevent moisture from damaging your floor.



LAYOUT

We recommend to installing the floor towards the light or in the direction of the longest wall. 9 10

Remark: some wood species are sensitive to colour variations under the influence of UV light. It is a natural occurrence that colours may darken or lighten over time.

INSTALLATION

We recommend mixing planks from different packs during installation to create a more uniform appearance.

Parky uses the Uniclic® system to install floating floors without using glue, nails or screws. 11 The floorboards are held together using a click tongue-and-groove system. This system is faster and error-free. The easiest way to install the floor is inserting the tongue (A) in the groove (B). 12

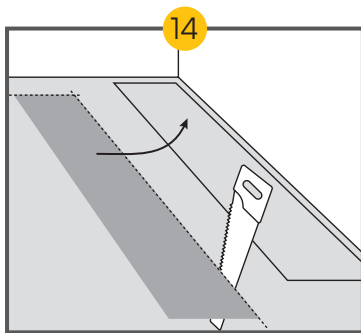
Use the Parky pull bar in case you are unable to use the tapping block and the hammer. On the short edge, give several gentle knocks in succession. Prevent damage to your floor by avoiding heavy knocks. When using the pull bar at the long edge of the planks, knock the plank repeatedly. Gently knock the edge of the plank until it clicks together and repeat this process every 30 cm (12") until the whole plank clicks into place.

Parky is a real wood floor. Sufficient expansion gaps should therefore be left along each wall, around heating pipes, and around obstacles on the surface (door frames, for example).

The minimum expansion gap is 10 mm, or 1 mm per running metre. The expansion gaps can be covered with skirtings attached to the wall, but NEVER to the floor. For floors that are longer or wider than 10 m, an additional expansion gap must be provided using a T-profile. 13

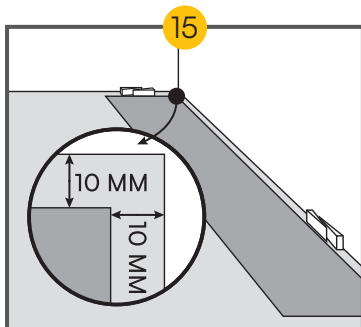
Heavy/fixed objects (such as kitchen islands, built-in cabinets, heavy stoves...) should be perceived as walls when installing flooring and therefore require the minimum expansion gap.

For an easier installation, assemble the first 3 rows away from the wall, so you can sit on the planks during the assembly. Then slide the first 3 rows against the wall with spacers in place.



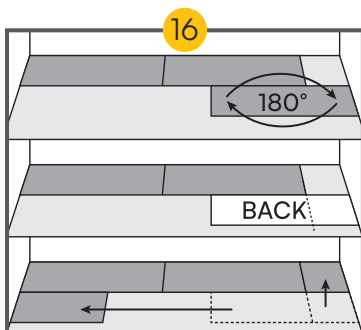
THE FIRST ROW

Cut off the tongue from the first plank, both the short edge and the long edge. For the other planks of the first row, only cut off the tongue on the long side. 14 15 Angle the end joint of the second plank into the end joint of the installed plank. Lower and click the plank into place. Use a rubber hammer to check the joints and tap gently if necessary. Make sure the first-row planks are straight.



THE SECOND ROW

Use the leftover plank from the first row to start the second row. The minimum length of the leftover plank should be at least 20 cm (8"). 16 Continue the second row with an entire plank. First click the long edge of the plank into the planks of the first row. Keep a 6 mm (1/4") distance from the first plank in the second row. Gently knock the second plank into the first using the tapping block from the installation kit. 17

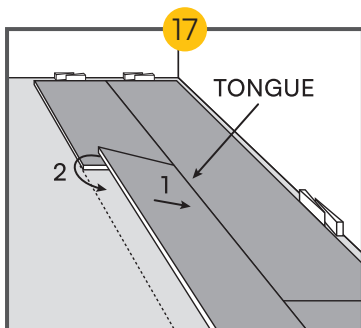


Continue according to this methodology until the last row. Remark: never try to assemble two planks through one single strike!

Avoid aligning the end joints of the planks in two successive rows. We recommend staggering them by at least 30 cm (11 13/16").

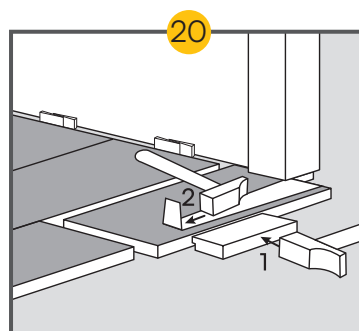
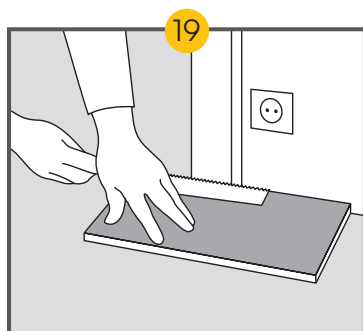
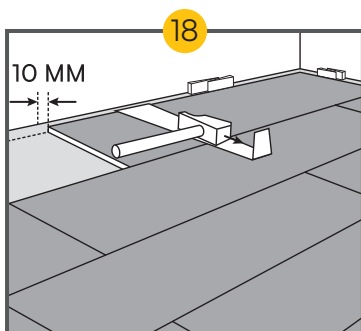
THE LAST ROW

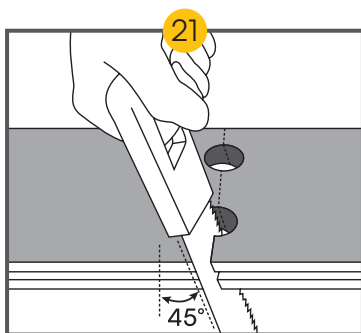
Make sure to leave an expansion gap of 10 mm (3/8") between the last plank and the wall. Cut the planks of the last row lengthwise. To click the planks in the second-to-last row, use the metal pull bar from the installation kit. 18



DOORFRAMES

Cut the planks and make sure there is an expansion gap of 10 mm (3/8"). Use the pull bar in case it is not possible to click the plank into place. 19 20

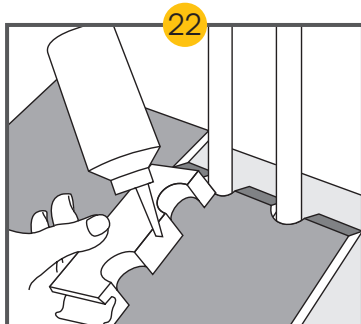




HEATING PIPES

Carefully look at the drawing to determine the best way to saw the Parky plank when installing it near a heating pipe. It is important to follow these instructions for a nice result. Finish the installation by applying silicone around the pipes. It is important that the expansion gap is closed off to avoid moisture getting to your Parky floor.

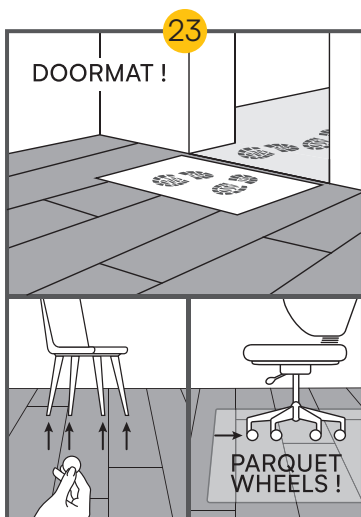
21 22



THE FINISH

Due to a glue-free installation, you can immediately walk on the floor after installation. Remove all spacing blocks and install the skirtings. Never fix the skirtings to the floor, always to the wall. The floor needs to be able to expand and contract under the skirting. Use silicone in areas where skirtings are not possible.

In general, the floor has to be sealed to avoid moisture penetration.



MAINTENANCE AND PROTECTION 23

Use the Parky cleaner to maintain your Parky floor. The cleaner removes the dirt without harming the lacquer and it gives your floor a nice look. Contact your dealer for stubborn spots.

For an optimal protection of your Parky floor, make sure to add:

- A doormat if the floor is installed at the entrance.
- Pieces of felt under the chairs.
- Parquet wheels under office chairs and a protection mat under the chair.



Did you install your new Parky floor?
Share it with us!
@parkyfloors #myparkyfloor

PARKY[®]
wood flooring's finest

If you have any questions, don't hesitate to contact your local dealer or the head office in Belgium.

Decospan nv, Industriezone Grensland
Lageweg 33, 8930 Menen - Belgium
tel +32 56 52 88 49 - info@par-ky.com
www.par-ky.com

DECOSPAN[®]